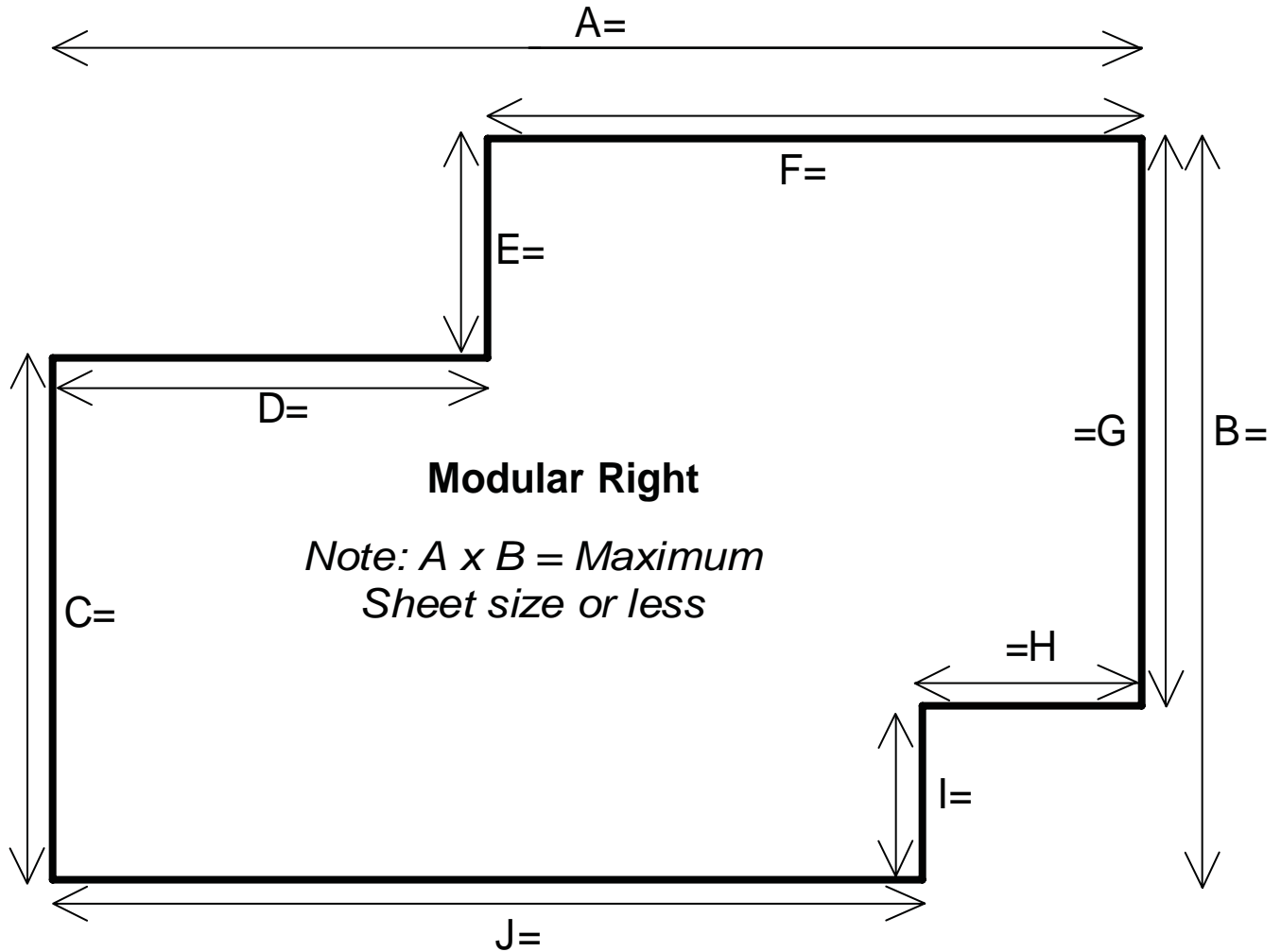


TEL# 877-269-1248

FAX# 714-596-2866

## CUSTOM MODULAR RIGHT TEMPLATE



### STANDARD SIZES TO CUT FROM

36x34     45x53     48x48     48x60     48x72   
 48x96     60x60     60x72     60x96     60x120  (ROLLAMAT & SUPERMAT ONLY)

(ULTRAMAT AND ROLLAMAT ONLY, MAY EXTEND DELIVERY TIME)

72x72     72x96     72x120

### PLEASE CHECK YOUR MAT TYPE BELOW

EXECUMAT   
300 mil v5

ULTRAMAT   
220 mil v4

ROLLAMAT   
190 Mil v3

GLASS CLEAR   
220 Mil

SUPERMAT   
150 mil v2

NON STUDED   
150 mil v2

ANTISTATIC   
145 mil

YOUR NAME: \_\_\_\_\_

PHONE: \_\_\_\_\_

FAX NO: \_\_\_\_\_